

Thank you for purchasing a Sealey product. Manufactured to a high standard, this product will, if used according to these instructions, and properly maintained, give you years of trouble free performance.

IMPORTANT: PLEASE READ THESE INSTRUCTIONS CAREFULLY. NOTE THE SAFE OPERATIONAL REQUIREMENTS, WARNINGS & CAUTIONS. USE THE PRODUCT CORRECTLY AND WITH CARE FOR THE PURPOSE FOR WHICH IT IS INTENDED. FAILURE TO DO SO MAY CAUSE DAMAGE AND/OR PERSONAL INJURY AND WILL INVALIDATE THE WARRANTY. KEEP THESE INSTRUCTIONS SAFE FOR FUTURE USE.



Refer to instructions

1. SAFETY

- ✓ This face shield is designed for face and eye protection against high speed particles of low energy impact. The visor is designed to be lightweight and comfortable to wear.
- ✓ The product protects against high speed particles worn over standard ophthalmic spectacles, but may transmit impacts, thus creating a hazard to the wearer.
- ✓ Avoid liquids as small particles can splash into the eyes.
- ✓ Inspect the face shield frequently as a pitted or scratched face shield reduces vision and should be replaced immediately.
- ✓ When necessary, use identical replacement parts contact your Sealey stockist.
- ✗ **DO NOT** use if any part of the face shield is cracked or broken.
- ✗ **DO NOT** place this product on a hot surface.
- ✗ **DO NOT** use this face shield for protection against short circuit electric spark, fine dust, gas, ultra violet or infra red radiation, ionising radiation, liquids under pressure or other severe hazards.
- ✗ **DO NOT** use this face shield against heavy impact hazards.
- ✗ **DO NOT** use this face shield for welding.

2. INTRODUCTION

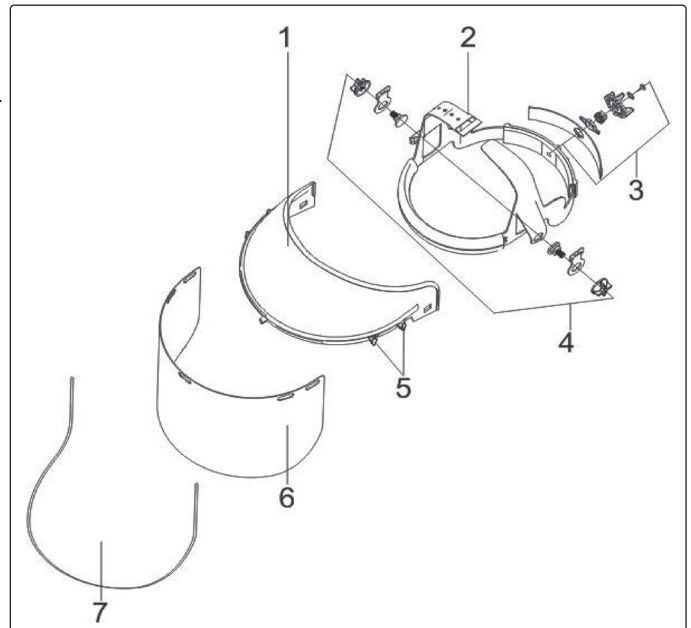
Ratchet adjustable headband with brushed nylon comfort band.
 Competitive quality for automotive, agricultural and industrial applications.
 Can be used with standard glasses. Conforms to EN 166, Optical class 1, Impact grade F.

3. SPECIFICATION

MODEL NO:.....SSP10E/SSP10ER
 Consumable Parts:Replacement visor: SSP10E/R
 Lens Type: Clear
 Operation temperature.....-5°C ~ +55°C
 Storage temperature.....-20°C ~ +70°C

4. ASSEMBLY

- 1 Frame
- 2 Headgear height adjustment
- 3 Headgear tightness adjustment
- 4 Headgear angle adjustment
- 5 Visor fixture
- 6 Lens
- 7 Aluminium edge



4.1. ASSEMBLY

- 4.1.1. Locate central hole of face shield and pass a spigot through the lens and into the brow guard. Lock in place by rotating the spigot.
- 4.1.2. Gently fold the face shield around the brow guard. Lock in place the remaining spigots by rotating them.
- 4.1.3. Carefully remove the plastic protective sheet from both faces of the lens.

4.2. FITTING BROW GUARD

NOTE: It is imperative that the brow guard fits well and comfortably for the user or else slippage and discomfort may arise.

- 4.2.1. **Headgear height adjustment:** Initially adjust top band to suit head size by un-clipping the band and size to suit. Re-clip the band when sized appropriately.
- 4.2.2. **Head gear tightness adjustment (circumference):** Use thumbscrew on the rear of the head band to make fine adjustment of circumference of the head band.
- 4.2.3. **Headgear angle adjustment:** To adjust the angle of the face mask with respect to the brow guard, use the thumbscrews on either side of the brow guard to set the angle. Tighten in position when adjusted accordingly.

5. CLEANING & DISINFECTION

- × **DO NOT USE** abrasive materials.
- 5.1. Using a soft and clean brush or cloth, use warm suds to wash and clean. Ensure hands are clean (without grease).
- 5.2. Materials which may come into contact with the wearer's skin could cause allergic reactions to susceptible individuals. The contact areas should be disinfected regularly.

6. MAINTENANCE

- 6.1. The visor should be periodically inspected and cleaned to keep it clear. In case damage or damage to the visor, please replace.
- 6.2. Ensure a correctly specified lens is fitted as a replacement (model no. SSP10E/R). Ensure hands are clean (without grease) while fitting the lens.

7. STORAGE

- 7.1. Store in a bag or case out of direct sunlight, away from chemicals and abrasive substances, in a clean dust free environment. Use original bag for transportation if possible.

8. SHELF LIFE/EXPIRY DATE

- 8.1. Product shelf life/expiry is 2 years from date of purchase.



ENVIRONMENT PROTECTION

Recycle unwanted materials instead of disposing of them as waste. All tools, accessories and packaging should be sorted, taken to a recycling centre and disposed of in a manner which is compatible with the environment. When the product becomes completely unserviceable and requires disposal, drain any fluids (if applicable) into approved containers and dispose of the product and fluids according to local regulations.

Note: It is our policy to continually improve products and as such we reserve the right to alter data, specifications and component parts without prior notice. Important: No Liability is accepted for incorrect use of this product.

Warranty: Guarantee is 12 months from purchase date, proof of which is required for any claim.

Sealey Group, Kempson Way, Suffolk Business Park, Bury St Edmunds, Suffolk. IP32 7AR



01284 757500



01284 703534



sales@sealey.co.uk



www.sealey.co.uk